

DS 5401 - Drop Sensor

General Information



Drop sensor can be used to monitor water or other conductive liquid drop with relay module direct output to control related equipment or provide alarm.

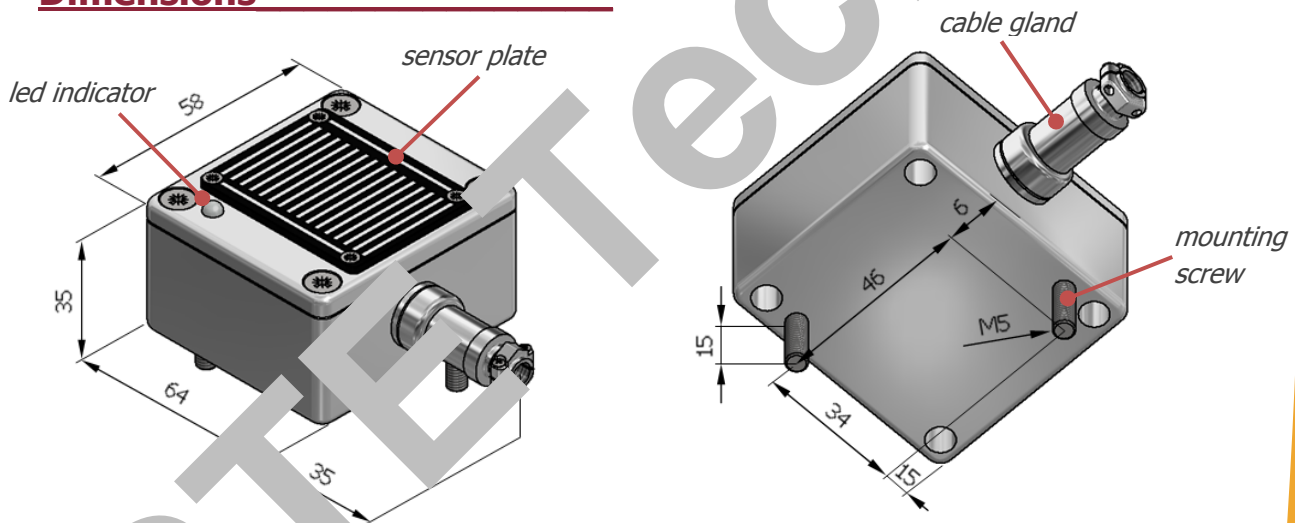
When the sensor board is dry, relay is motionless, alarm light is off. If there occurs any drop, relay attracts to start related equipment and switches alarm light on.

Technical Data

Input Voltage : 12 VDC, 10 mA
Control Relay : 250 VAC @5A, 30 VDC @5A
Cable Gland : GX16-4 (nickel plated brass)
Circular Connector

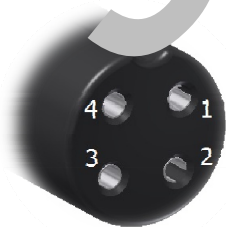
Box Material : Aluminum
Protection Class : IP65
Net Weight : 230g
Operating Temp. : -25 ~ +60 °C

Dimensions



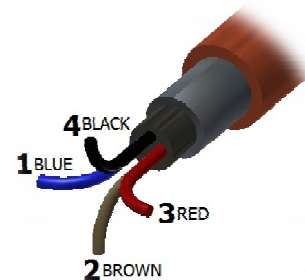
Connections

Connector detail



- 1: Relay Output 250VAC, 5A; 30VDC, 5A
- 2: Relay Output 250VAC, 5A; 30VDC, 5A
- 3: Power-in (+) 12VDC
- 4: Power-in (-) 12VDC

Cable detail



Sensor is provided with 1.5m 4x0.75mm² cable connected to circular connector.