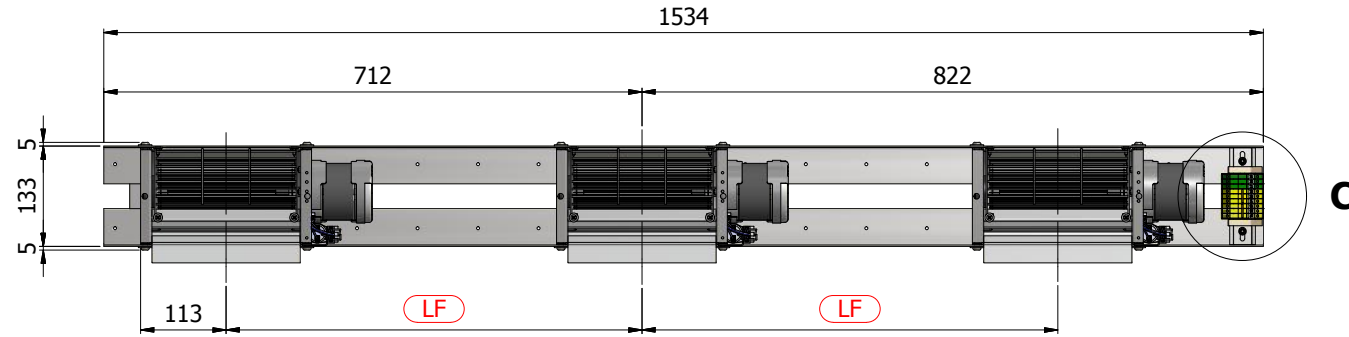
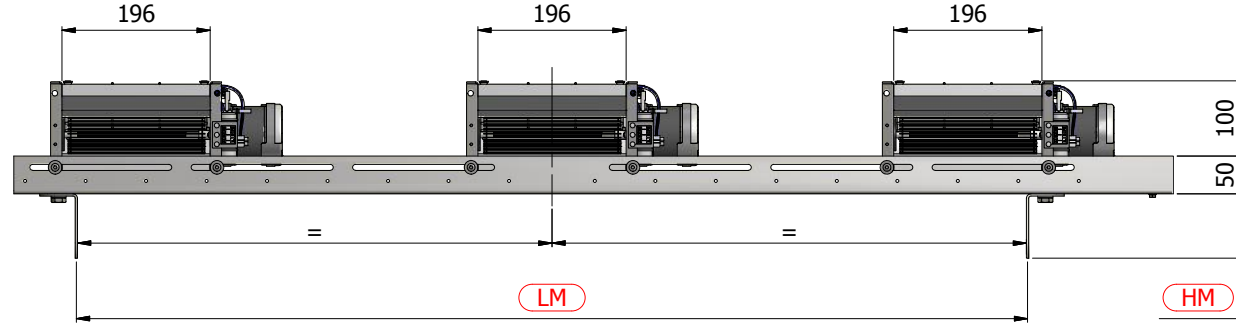
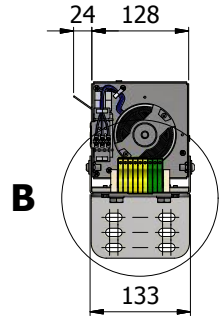
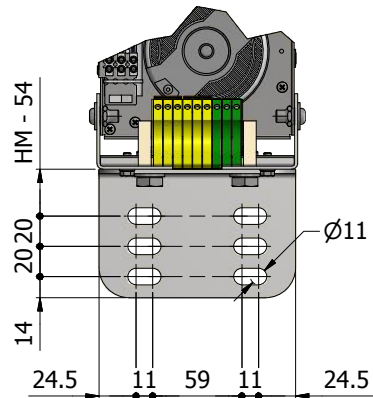


- All dimensions are in "mm" unless otherwise specified.
- Dimension tolerance is acc. to ISO 2768-v.
- Fans are wired to connection terminals (Detail C).
- Fan accessories are shown as information here.

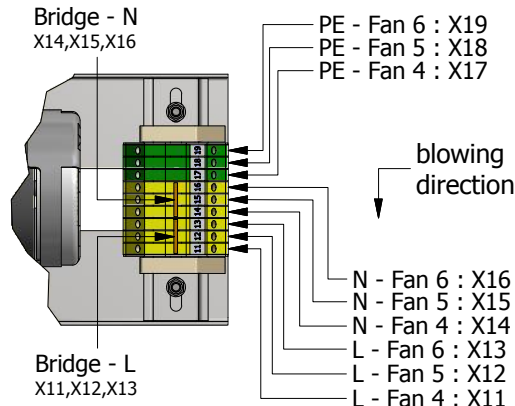
Fan Options		
<input type="checkbox"/> CF80-180S	<input type="checkbox"/> CF80-180H	<input type="checkbox"/> CF80-180H.60



Detail B



Detail C



Dimension Options												
LM	<input type="checkbox"/>	855 mm	<input type="checkbox"/>	955 mm	<input type="checkbox"/>	1055 mm	<input type="checkbox"/>	1155 mm	<input type="checkbox"/>	1255 mm	<input type="checkbox"/>	1355 mm
HM	<input type="checkbox"/>	85 mm		<input type="checkbox"/>	105 mm		<input type="checkbox"/>	125 mm				
LF	<input type="checkbox"/> --- mm [min. 400 mm & max. 550 mm]											

Design	D. Çetin	Title									
Check	T. Özeç	Cross-Flow Fan Assembly		CF80							
Approve	S. Ada	Type		R		Scale					
Date	16.07.2018	Model		Bar 180		Page		01		First issue	
Drawing	CF80-180.RB	Rev.				Date				Approve	

