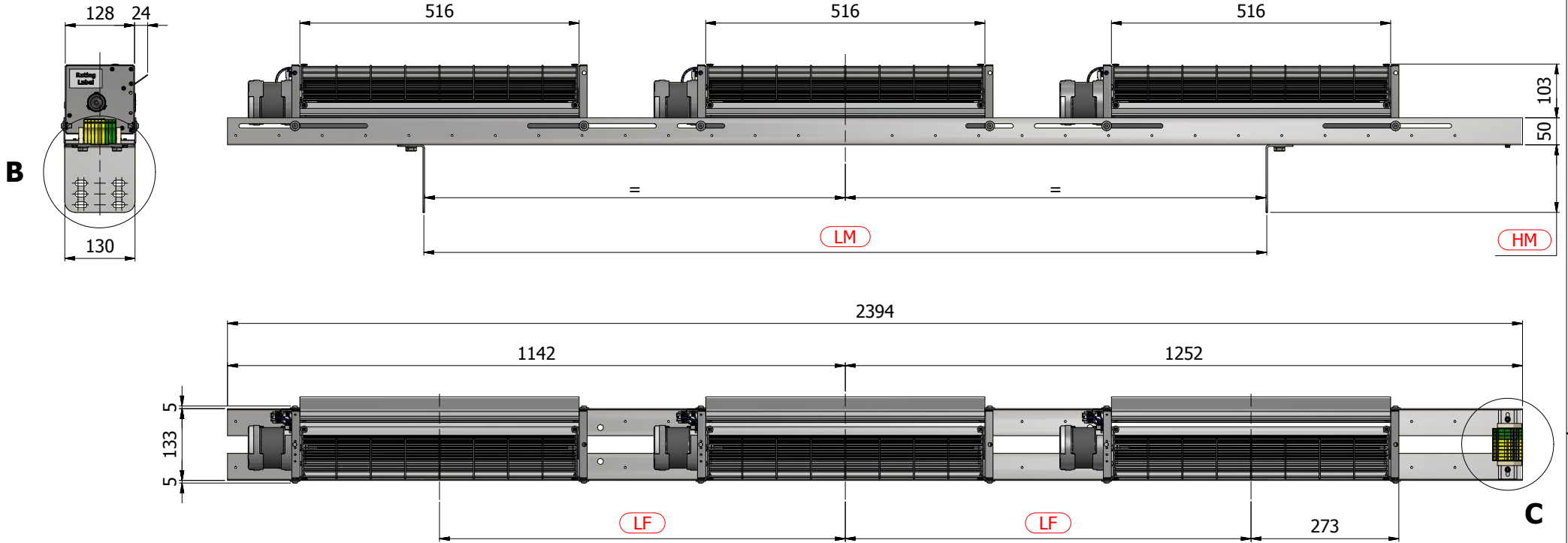
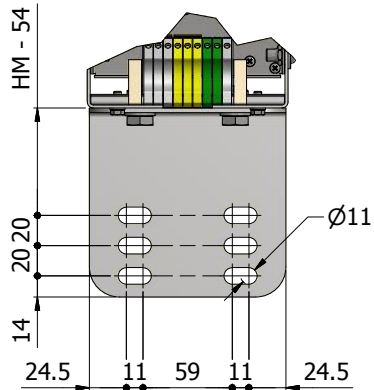


- All dimensions are in "mm" unless otherwise specified.
- Dimension tolerance is acc. to ISO 2768-v.
- Fans are wired to connection terminals (Detail C).
- Fan accessories are shown as information here.

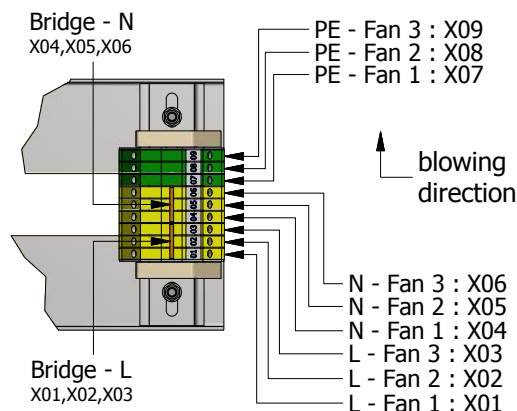
Fan Options		
<input type="checkbox"/> CF80-500S	<input type="checkbox"/> CF80-500H	<input type="checkbox"/> CF80-500H.60



Detail B



Detail C



Dimension Options

LM	<input type="checkbox"/> 855 mm	<input type="checkbox"/> 955 mm	<input type="checkbox"/> 1055 mm	<input type="checkbox"/> 1155 mm	<input type="checkbox"/> 1255 mm	<input type="checkbox"/> 1355 mm	<input type="checkbox"/> 1555 mm	<input type="checkbox"/> 1655 mm
HM	<input type="checkbox"/> 85 mm	<input type="checkbox"/> 105 mm	<input type="checkbox"/> 125 mm					
LF	--- mm [min. 700 mm & max. 800 mm]							

Design	D. Çetin	Title							
Check	T. Özenç	Cross-Flow Fan Assembly							
Approve	S. Ada	CF80							
Date	16.07.2018	Type		L		Scale			
Drawing	CF80-500.LB	Model		Bar 500		Page		01	
						Rev.		Date	
						Approve			

